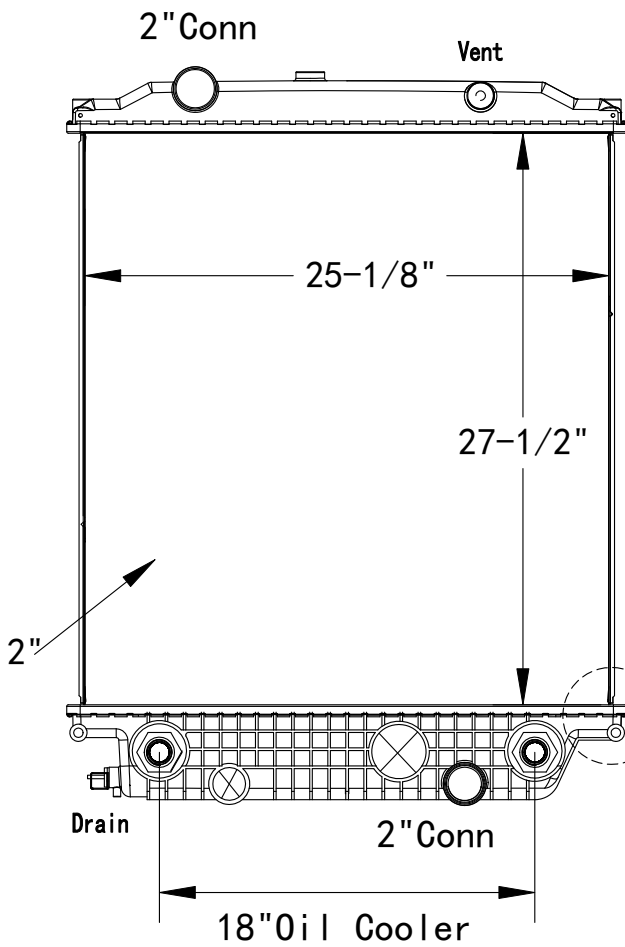


HD9298



Use bolts  
Compare to HD1119 which  
uses Hi-Low screws